



BMP 500.SX SHARK ECONOMY

TWO PRODUCT FUEL DISPENSERS



BMP 500.SX SHARK ECONOMY | BASIC SPECIFICATION

The fuel dispensers TATSUNO-BENC of series SHARK BMP 500.SX - ECONOMY serve for dispensing of liquid oil products into road vehicles on retail and commercial outlets. We are speaking about progressive one- or double-sided one/two product fuel dispensers with one or two dispensing hoses. The fuel dispensers are equipped by the high-quality Japan hydraulic system TATSUNO and by the reliable electronic calculator PDE (Czech Republic). All fuel dispensers of the type series BMP 500.SX are operated both in the manual mode (i.e. off-line), and in the automatic mode, where the fuel dispenser is linked with the kiosk control system and the data concerning volume, sum and price are transmitted to POS. TATSUNO BENČ BG-16 console can be used for fuel dispenser controlling or the fuel dispensers can be connected directly to the filling station control system.



ECONOMICAL DISPENSER



FIBREGLASS COVERS



HYDRAULIC SYSTEM TATSUNO (JAPAN)



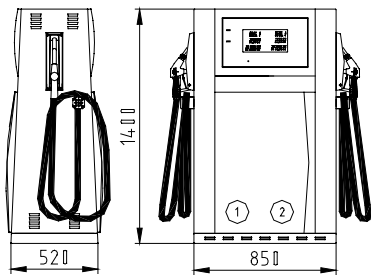
PROPORTIONAL LCD DISPLAYS



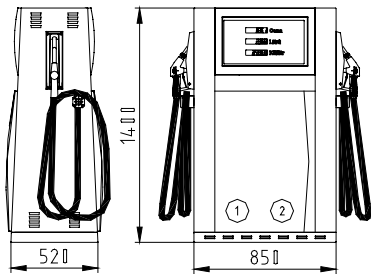
PETROL VAPOUR RECOVERY

TWO PRODUCT FUEL DISPENSERS SERIES BMP 500.SX SHARK ECONOMY

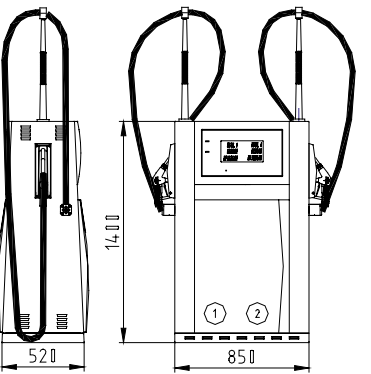
BMP 522.SXD



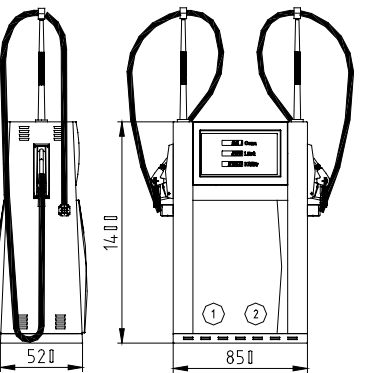
BMP 522.SXD / NC



BMP 522.SXD-HS



BMP 522.SXD / NZ-HS



ONE-SIDED DISPENSERS BMP 500.SX SHARK ECONOMY		
type	products	hoses
BMP 522.SXL	2	2
BMP 522.SXL/NC	2	2
BMP 522.SXL-HS	2	2
BMP 522.SXL/NZ-HS	2	2

TWO-SIDED DISPENSERS BMP 500.SX SHARK ECONOMY		
type	products	hoses
BMP 522.SXD	2	2
BMP 522.SXD/NC	2	2
BMP 522.SXD-HS	2	2
BMP 522.SXD/NZ-HS	2	2

MODEL SPECIFICATION

- ▶ Hydraulics TATSUNO (Japan)
- ▶ Reliable electronic counter
- ▶ Proportional graphic or standard LCD display (6-6-6)
- ▶ Electronically controlled LED backlight of LCD displays
- ▶ Modern compact design with fibreglass covers
- ▶ Two-channels pulse generators TATSUNO (Japan)
- ▶ Electronic registers for every dispensing nozzle
- ▶ Non resettable electromechanical register for every nozzle
- ▶ Infra-red remote controller for dispenser setting
- ▶ Vapour recovery system with electronic signalling
- ▶ Dispensing hoses and nozzles ZVA-ELAFLEX (Germany)
- ▶ Reliable hose retraction reel
- ▶ Sight glasses for fuel flow check
- ▶ Valves for dispensing of preselected amount/volume
- ▶ Four buttons keypad for amount/volume preselection
- ▶ IFSF-LON or IFSF-TCP/IP data communication
- ▶ Various colour performance – on customer's request
- ▶ Possibility to install multimedia module

TECHNICAL SPECIFICATION

pumping output	<ul style="list-style-type: none"> • standard 30 ÷ 50 dm³.min⁻¹ • high performance 70 ÷ 80 dm³.min⁻¹ • ultra-high performance 120 ÷ 130 dm³.min⁻¹
accuracy of pumping	• ± 0.5 % with minimum dispensed volume 2, 5, 10 dm ³
minimum operating pressure	gasoline 0.16 MPa (1.6 bar) diesel 0.20 MPa (2.0 bar)
maximum operating pressure	0.4 MPa (4.0 bar)
electric motors	three-phase, 3 x 400 V / 50 Hz, 0.75 kW, 1 395 rpm
counter power supply	230 V, + 10% - 15%, max. 85 VA, 50 Hz
operating temperature range	-25 °C ÷ 55 °C (with heating kit -50 °C)